

## 1190S Bath & Shower

- \* 3/4" OD brass tubing
- \* 1 x 10" cut-to-fit wall support
- \* 1 x 30" cut-to-fit ceiling support
- \* 4" rain shower head w/ swivel ball
- \* 62" shower riser

**Curtain Size: 24"x 42"**

**Curtain Size: 24"x 54"**

Model #	Finish
1190S	Chrome

Model #	Finish
1190S/54	Chrome

### Without Curtain

Model #	Finish
1195S	Chrome



## Optional hardware for the above faucets:

**Ceiling & Wall Supports**



See Page 91

**Water Supply Tubes**



See Page 65-66

## 2190 Bath & Shower

- \* 3/4" OD brass tubing
- \* 1 x 10" cut-to-fit wall support / 1 x 30" cut-to-fit ceiling support
- \* 4" rain shower head w/ swivel ball
- \* Adjustable swivel unions 3"-9" centres
- \* 62" shower riser

**Curtain Size: 24"x 42"**

**Curtain Size: 24"x 54"**

**Model #    Finish**  
2190        Chrome

**Model #    Finish**  
2190/54    Chrome  
2183/54    Brushed Nickel

### Without Curtain

**Model #    Finish**  
2195        Chrome  
2193        Brushed Nickel

### Handle Options:



This faucet comes standard with metal cross handles only



Model Shown: 2190

Model Shown: 2195  
**Without Curtain**

## Optional hardware for the above faucets:

### Add-A-Hanshower Diverter Kit



See Page 85

### Ceiling & Wall Supports



See Page 91

### Water Supply Tubes



See Page 65-66

## 2800 Bath & Shower

- \* 3/4" OD brass tubing
- \* 1 x 10" cut-to-fit wall support
- \* 1 x 30" cut-to-fit ceiling support
- \* 4" rain shower head w/ swivel ball
- \* Adjustable swivel unions 3"-9" centres
- \* 62" shower riser

**Curtain Size: 24"x 42"**

**Curtain Size: 24"x 54"**

**Model #    Finish**  
2800CSA    Chrome

**Model #    Finish**  
2854    Chrome  
2803/54    Brushed Nickel  
2808/54    Oil Rubbed Bronze

### Without Curtain

**Model #    Finish**  
1800CSA    Chrome  
1803CSA    Brushed Nickel

### Handle Options:



This faucet comes standard with metal cross handles



Metal Lever Handles  
Add suffix / **ML** at end of model #



White Lever Handles  
Add suffix / **L** at end of model #



Model Shown: 2800CSA/L

Model Shown: 1800CSA/L  
**Without Curtain**

## Optional hardware for the above faucets:

### Add-A-Hanshower Diverter Kit



See Page 85

### Ceiling & Wall Supports



See Page 91

### Water Supply Tubes



See Page 65-66



Model Shown: CDSH3X51CP/L

Model Shown: CDSH3X50CP/L  
Without Curtain

## British Bath & Shower

- \* 3/4" OD brass tubing
- \* 1 x 10" cut-to-fit wall support
- \* 1 x 30" cut-to-fit ceiling support
- \* 4" rain shower head w/ swivel ball
- \* 3-3/8" faucet centres
- \* 62" shower riser

**Curtain Size: 24" x 54"**

Model #	Finish
CDSH3X51CP	Chrome

### Without Curtain

Model #	Finish
CDSH3X50CP	Chrome

### Handle Options:



Come standard w/ metal cross



White Lever Handles  
Add suffix / **L** at end of model #



Metal Lever Handles  
Add suffix / **ML** at end of model #

## Optional hardware for the above faucets:

### Add-A-Hanshower Diverter Kit



See Page 85

### Ceiling & Wall Supports



See Page 91

### Water Supply Tubes



See Page 65-66

### Freestanding Floor Risers



See Page 62



Model Shown: CDSH2X51CP/L



Model Shown: CDSH2X50CP/L  
Without Curtain

## Goose Bath & Shower

- \* 3/4" OD brass tubing
- \* 1 x 10" cut-to-fit wall support
- \* 1 x 30" cut-to-fit ceiling support
- \* 4" rain shower head w/ swivel ball
- \* 3-3/8" faucet centres
- \* 62" shower riser

### Size: 24" x 54" Frame

Model #	Finish
CDSH2X51CP	Chrome

### Without Curtain

Model #	Finish
CDSH2X50CP	Chrome

### Handle Options:



White Lever Handles  
Add suffix **/L** at end of model #



Metal Lever Handles  
Add suffix **/ML** at end of model #

## Optional hardware for the above faucets:

### Add-A-Hanshower Diverter Kit



See Page 85

### Ceiling & Wall Supports



See Page 91

### Water Supply Tubes



See Page 65-66

### Freestanding Floor Risers



See Page 62

## Spigot Bath & Shower

- \* 3/4" OD brass tubing
- \* 1 x 10" cut-to-fit wall support
- \* 1 x 30" cut-to-fit ceiling support
- \* 4" rain shower head w/ swivel ball
- \* 3-3/8" faucet centres / spigot spout
- \* 62" shower riser

**Curtain Size: 24" x 54"**

Model #	Finish
CDSH1X51CP	Chrome

### Without Curtain

Model #	Finish
CDSH1X50CP	Chrome

### Handle Options:



White Lever Handles  
Add suffix **/L** at end of model #



Metal Lever Handles  
Add suffix **/ML** at end of model #



Model Shown: CDSH1X51CP/L

Model Shown: CDSH1X50CP/L  
**Without Curtain**

## Optional hardware for the above faucets:

### Add-A-Hanshower Diverter Kit



See Page 85

### Ceiling & Wall Supports



See Page 91

### Water Supply Tubes



See Page 65-66

### Freestanding Floor Risers



See Page 62

## 2400 Bath & Shower

- \* 3/4" OD brass tubing
- \* 1 x 10" cut-to-fit wall support
- \* 1 x 30" cut-to-fit ceiling support
- \* 4" rain shower head w/ swivel ball
- \* Adjustable swivel unions 3"-9" centres
- \* 62" shower riser

**Curtain Size: 24"x 42"**

**Curtain Size: 24"x 54"**

**Model #**    **Finish**  
2400CP    Chrome

**Model #**    **Finish**  
2400CP/54    Chrome  
2400MB/54    Matte Bronze

### Without Curtain

**Model #**    **Finish**  
1400CP    Chrome  
1400MB    Matte Bronze

### Handle Options:



This faucet comes standard with metal cross handles



White Lever Handles  
Add suffix /L at end of model #



Model Shown: 2400CP

Model Shown: 1400CP

## Optional hardware for the above faucets:

### Add-A-Hanshower Diverter Kit



See Page 85

### Ceiling & Wall Supports



See Page 91

### Water Supply Tubes



See Page 65-66



Model Shown: 2800/9650

## 2800/96 Bath & Shower (Freestanding over-the-rim)

- \* 3/4" OD brass tubing
- \* 1 x 10" cut-to-fit wall support
- \* 1 x 30" cut-to-fit ceiling support
- \* 4" rain shower head w/ swivel ball
- \* Choice of freestanding floor risers
- \* 54" shower riser

### NO Shutoffs Valves

**Curtain Size: 24"x 42"**



Model #	Finish
2800/9650	Chrome

**Curtain Size: 24"x 54"**

Model #	Finish
2854/9650	Chrome
2803/54/9653	Brushed Nickel

### With Shutoffs Valves

**Curtain Size: 24"x 42"**



Model #	Finish
2800/9670	Chrome

**Curtain Size: 24"x 54"**

Model #	Finish
2854/9670	Chrome
2803/54/9673	Brushed Nickel

## Hardware for the above faucet:

### Add-A-Hanshower Diverter Kit



See Page 85

### Ceiling & Wall Supports



See Page 91

### Handle Options:



This faucet comes standard with metal cross handles



Metal Lever Handles  
Add suffix / **ML** at end of model #

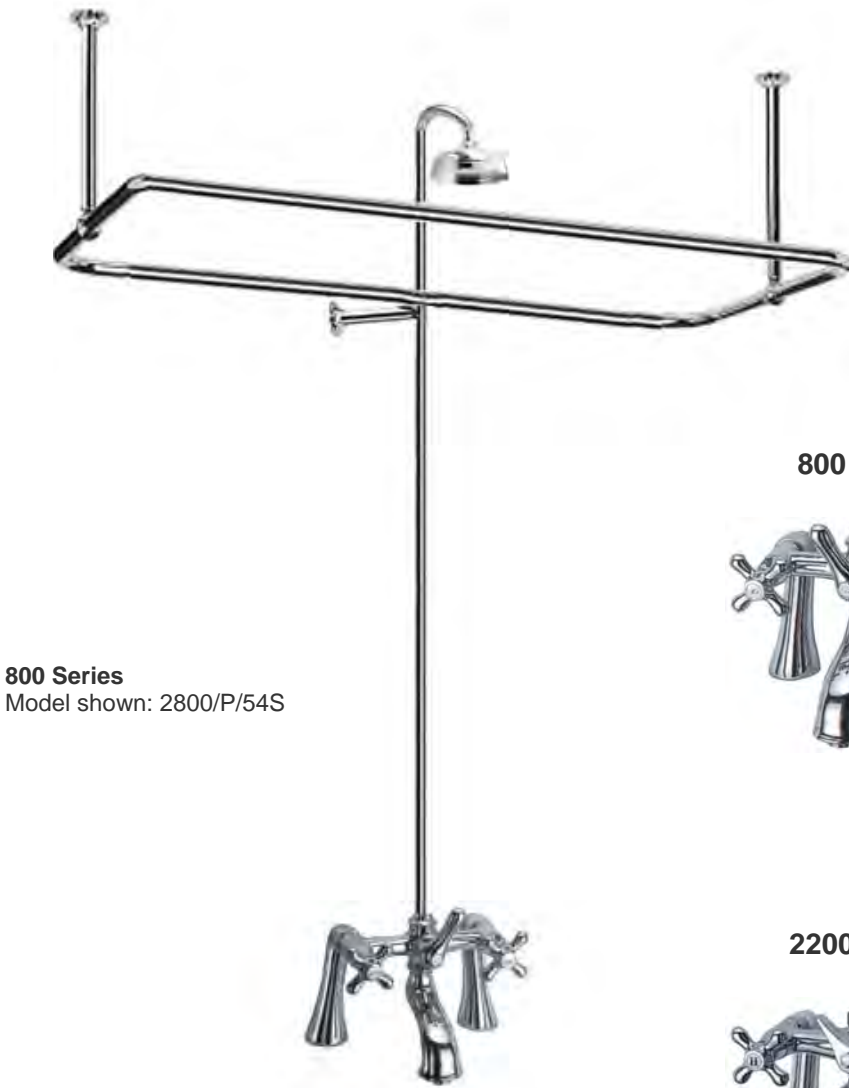


White Lever Handles  
Add suffix / **L** at end of model #



## P54S Bath & Shower

- \* 3/4" OD brass tubing
- \* 1 x 10" cut-to-fit wall support
- \* 2 x 30" cut-to-fit ceiling support
- \* 4" rain shower head w/ swivel ball
- \* 7" tall deck mount pillars
- \* 62" shower riser
- \* 24" x 54" shower curtain



**800 Series**  
Model shown: 2800/P/54S

### 800 Series



Model #	Finish
2800/P/54S	Chrome
2803/P/54S	Brushed Nickel

This faucet comes standard with metal cross handles, but also available in white or metal lever

Metal Lever Handles  
Add suffix **/ML** at end of model #

White Lever Handles  
Add suffix **/L** at end of model #

### 2200 Series



Model #	Finish
2200/P/54S	Chrome
2203/P/54S	Brushed Nickel

This faucet comes with metal cross handles only



Designed for dual ended tubs. Faucets are DECK mounted onto rim of tub. Other mounting applications available, please call our office.

## Optional hardware for the above faucets:

### Add-A-Hanshower Diverter Kit



See Page 85

### Ceiling & Wall Supports



See Page 91

### Water Supply Tubes



See Page 65-66

### Freestanding Floor Risers



See Page 61



Model shown: CDSHBRICP/L

## Quaker Sidemount

- \* 3/4" OD brass tubing
- \* 1 x 10" cut-to-fit wall support
- \* 2 x 30" cut-to-fit ceiling support
- \* 4" rain shower head w/ swivel ball
- \* 62" shower riser
- \* Curtain frame is 24" x 54"

Designed for dual ended tubs

Faucets are DECK mounted onto rim of tub.  
Other mounting applications available, please call our office.



## Choose A Faucet:



### British series

Model #	Finish
CDSHBRICP	Chrome

### Spigot series



Model #	Finish
CDSHSPICP	Chrome

Available in white lever or metal lever only



### Goose series

Model #	Finish
CDSHG00CP	Chrome

Available in white lever or metal lever only

## Handle Options:



Add **/MC** for Metal Cross Handles  
(For British series only)



Metal Lever Handles  
Add suffix **/ML** at end of model #



White Lever Handles  
Add suffix **/L** at end of model #

## RETRO Column



- \* Valve is NON pressure balanced or thermostatic
- \* 6" Centers on faucet
- \* 59" shower hose
- \* Includes 1 x wall support
- \* Built-in diverter w/ Retro series hand sprayer
- \* 9 rain shower head w/ Easy Clean spray nozzles

Model #	Finish
L01526CP	Chrome
L01526SN	Satin Nickel



Easy Clean  
Rubber Nozzles



9" Rain Head



180° Rotational Swivel



## CUBE Column

- \* Valve is NON pressure balanced or thermostatic
- \* 3 Way diverter valve w/ 90° water supply
- \* 59" shower hose
- \* Includes 1 x wall support
- \* Cube series hand sprayer
- \* 8.25" rain shower head w/ Easy Clean spray nozzles

Model #	Finish
L02417CP	Chrome
L02417SN	Satin Nickel



Easy Clean  
Rubber Nozzles



8.25" Rain Head



180° Rotational Swivel



Standard installation as shown on a shower riser tube.

## Handshower Diverter Kits



### Kit Includes:

- \* Epoque Handshower
- \* 59" Metal shower hose
- \* Diverter assembly
- \* Handshower Cradle (set anywhere along shower riser)

## 2810DK Diverter Kit

### Model #

2810DK  
2813DK  
2818DK

### Finish

Chrome  
Brushed Nickel  
Oil Rubbed Bronze

### Will attach to the following bath and shower combinations:

- 1800 series
- 2800 series
- 2800/P/54S series
- 2800/96 series

## 2100DK Diverter Kit

### Model #

2100DK  
2103DK  
2108DK

### Finish

Chrome  
Brushed Nickel  
Oil Rubbed Bronze

### Will attach to the following bath & shower combinations:

- 2195 series
- 2190 series
- 2200/P/54S series
- 2190X/96 series

## Quaker Diverter Kit

### Model #

SH156DKCP

### Finish

Chrome

### Will attach to the following bath & shower combinations:

- Quaker sidemount series
- Spigot series
- British series
- Goose series



## Handshower Cradle

- \* Attach anywhere to shower riser / clamp on
- \* Fits 5/8" OD riser tube

Model #	Finish
190CP	Chrome
190BN	Brushed Nickel
190RB	Oil Rubbed Bronze



## Shower Hose

- \* 59" Metal Hose
- \* 1/2" F x 1/2" F connections

Model #	Finish
91300	Chrome
91303	Brushed Nickel
91308	Oil Rubbed Bronze

1/2" M Hose connection

Shower riser nut – 3/4" F to diverter x 5/8" F to shower riser OR 3/4":x 5/8" compression, choose below.



## Rubex Shower Diverter

Model #	Finish
110D	Chrome
113D	Brushed Nickel
118D	Rubbed Bronze

3/4" F x 5/8" F

## CDSH Shower Diverter

Model #	Finish
SH156VCP	Chrome
SH156VBN	Brushed Nickel
SH156VRB	Rubbed Bronze

3/4" F x 5/8" Compression

Will only fit faucet models that begin with **CDSH**

For 1/2" M connection to faucet, must purchase nut separately:

Model #	Finish
110D/800NU	Chrome
113D/800NU	Brushed Nickel
118D/800NU	Oil Rubbed Bronze



## Epoque Handshower

- \* 1/2" M to hose

Model #	Finish
HD201	Chrome & White
HD203	Brushed Nickel & White
HD208	Rubbed Bronze & White