



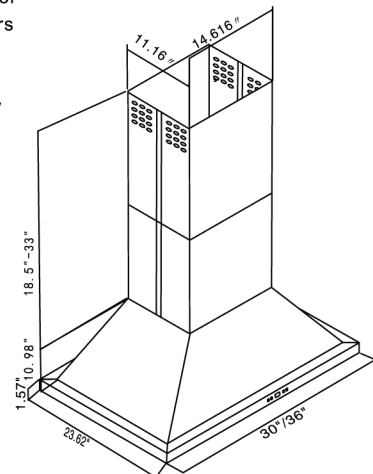
**MODEL NO : MXR-B01-IS**

**FEATURES**

- Installation: Island Mounted
- Material: Brushed Nickel Stainless Steel
- Size(s) available: 36"
- Filter(s): Professional grade Stainless Steel dishwasher safe baffle filter

**TECHNICAL SPECIFICATIONS**

- Airflow: 720 CFM
- Voltage: 120V 60Hz Canada/US Standard
- Control: 6 Speed Electronic Touch Control
- Motor(s): 1 Ultra-quiet centrifugal blowers
- Light(s): 4 LED GU10 x 3.5W
- Exhaust(s): 6" Round vent exhaust
- Warranty: 1 year limited factory warranty





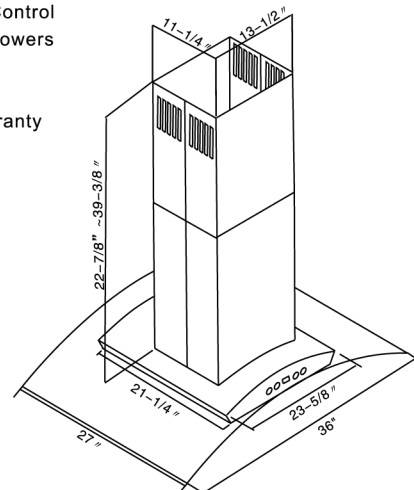
**MODEL NO : MXR-D01-IS**

**FEATURES**

- Installation: Island Mounted
- Material: Brushed Nickel Stainless Steel
- Size(s) available: 36"
- Filter(s): Professional grade Stainless Steel dishwasher safe baffle filter

**TECHNICAL SPECIFICATIONS**

- Airflow: 720 CFM
- Voltage: 120V 60Hz Canada/US Standard
- Control: 6 Speed Electronic Touch Control
- Motor(s): 1 Ultra-quiet centrifugal blowers
- Light(s): 4 LED GU10 x 3.5W
- Exhaust(s): 6" Round vent exhaust
- Warranty: 1 year limited factory warranty





New

**MODEL NO : MXR-Z01-IS**

**FEATURES**

- Installation: Island Mounted
- Material: Brushed Nickel Stainless Steel
- Size(s) available: 36"
- Filter(s): Professional grade Stainless Steel dishwasher safe baffle filter

**TECHNICAL SPECIFICATIONS**

- Airflow: 720 CFM
- Voltage: 120V 60Hz Canada/US Standard
- Control: 6 Speed Electronic Touch Control
- Motor(s): 1 Ultra-quiet centrifugal blowers
- Light(s): 4 LED GU10 x 3.5W
- Exhaust(s): 6" Round vent exhaust
- Warranty: 1 year limited factory warranty

