

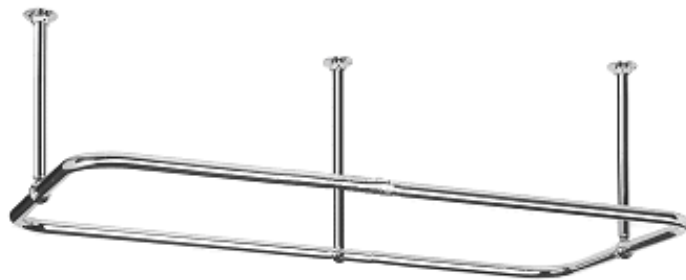
24" x 54" Rectangular Frame

- * 24" X 54" - 3/4" OD brass tubing
- * 1 x 30" cut-to-fit ceiling support
- * 1 x 10" cut-to-fit wall support

Frame is cut-to-fit adjustable for smaller sizes

Model #	Finish
150/54CP	Chrome
150/54BN	Brushed Nickel
150/54MBK	Matte Black

For additional supports, see page 82



3/4" OD Rectangular Frame

- * 24" X 54" - 3/4" OD brass tubing
- * 3 x 30" cut-to-fit ceiling support

Frame is cut-to-fit adjustable for smaller sizes

Model #	Finish
RC2654CP	Chrome
RC2654BN	Brushed Nickel
RC2654MBK	Matte Black

For additional supports, see page 82



Oval Frame

- * 1" OD brass tubing
- * 3 x 30" cut-to-fit ceiling supports

Frame is cut-to-fit adjustable for smaller sizes

Size: 30" x 60"	Size: 30" x 72"	Size: 36" x 60"
Model #	Model #	Model #
OV3060CP	OV3072CP	OV3660CP
	OV3072BN	OV3660BN
		OV3660MBK

Finish Guide:

Chrome (CP), Brushed Nickel (BN), Matte Black (MBK)

Supports and can be moved anywhere along frame to ensure being able to mount into a ceiling stud.

Custom cuts available on all frames. We can ONLY cut the length down to measurement
\$25 flat rate / final sale – no exchange or return



L Shape / Corner Frame

- * 48" X 66" – 1"od Brass Tubing
- * Shipped in 2 pieces
- * Heavy duty wall brackets
- * Includes 36" cut-to-fit ceiling support

Model #	Finish
122/XCP	Chrome
122/XBN	Brushed Nickel

Frame is cut-to-fit adjustable for smaller sizes



Includes 5 hole tee for shower riser installation

10" support can be cut down for more rigidity

Application:

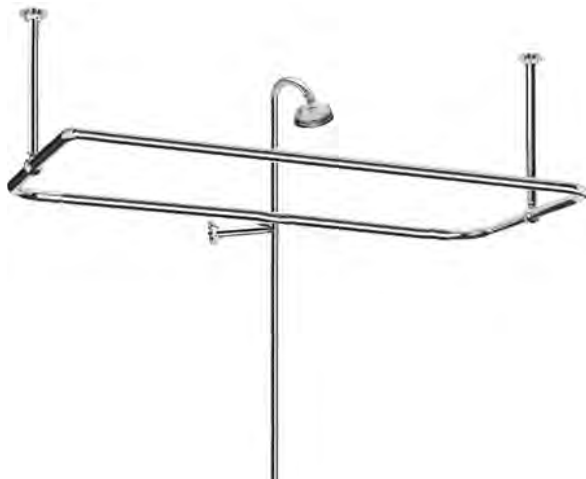
When you have no walls around your tub; ceiling mount only. The 90° section has a 5 hole tee on the frame to allow for a shower riser installation if required.

No Wall – Ceiling Mount Frame

- * 24" x 54" - 3/4" OD brass tubing
- * Shipped in multiple pieces
- * 2 x 30" cut-to-fit ceiling supports
- * 1 x 10" cut-to-fit wall support w/ 90° nut

Model #	Finish
150/54NW	Chrome
153/54NW	Brushed Nickel

Frame is cut-to-fit adjustable for smaller sizes



* Shower riser and head sold separately.

Side Mount Frame

- * 24" x 54" 3/4" OD brass tubing
- * Shipped in multiple pieces
- * 2 x 30" cut-to-fit ceiling supports
- * 1 x 10" cut-to-fit wall support

Application: For double ended tubs

Model #	Finish
S24X54CP	Chrome
S24X54BN	Brushed Nickel
S24X54MBK	Matte Black

Frame is cut-to-fit adjustable for smaller sizes

Custom cuts available on all frames. We can ONLY cut the length down to measurement
\$25 flat rate / final sale – no exchange or return



L Shape / Corner Frame

- * 27" x 60" - 1" OD brass tubing
- * Shipped in 2 pieces
- * Heavy duty wall brackets
- * Includes 36" cut-to-fit ceiling support

Frame is cut-to-fit adjustable for smaller sizes

Model #	Finish
145/60	Chrome



Add - A - Shower

- * 24" x 54" - 3/4" OD brass tubing
- * 1 x 30" ceiling support / 1 x 10" wall support
- * 62" shower riser tube w/ 4" rain shower head

Frame is cut-to-fit adjustable for smaller sizes

Model #	Finish
190CP/54K	Chrome
190BN/54K	Brushed Nickel
190MBK/52K	Matte Black

With 3/4" F (to faucet) x 5/8" F (to riser) adapter nut
Add number 2 at the end of the model number

With 1/2" M (to faucet) x 5/8" F (to riser) adapter nut
Add number 8 at the end of the model number



Neo Angle Frame

- * 36" x 36" x 36" - 1" OD brass tubing
- * Shipped in multiple pieces
- * 1 x 36" cut-to-fit ceiling supports

Frame is cut-to-fit adjustable for smaller sizes

Model #	Finish
NEOCP	Chrome

Shower Riser

- * 5/8" OD brass tubing
- * 3/8" IPS at bottom
- * 10" wall support w/ flange
- * 1/2" M showerhead conn.

54" Length

Model #	Finish
1195RCP/54	Chrome
1195RBN/54	Brushed Nickel

62" Length

Model #	Finish
1195RCP	Chrome
1195RBN	Brushed Nickel
1195RMBK	Matte Black



Curtain - to - Riser Bracket

Application:

This bracket will allow you to add a shower riser to any 1" OD frame. Attach anywhere along the curtain frame.

Size:

Large end is 1" to curtain / Small end is 5/8" to riser



Model #	Finish
BR3350CP	Chrome

Bottom Riser only

- * 5/8" OD brass tubing
- * 3/8" IPS at bottom
- * 36" overall length
- * Includes riser coupling nut

Model #	Finish
1195RCP/36	Chrome
1195RBN/36	Brushed Nickel
1195RMBK/36	Matte Black



Top Riser only

- * 5/8" OD brass tubing
- * 3/8" IPS at bottom
- * 27" overall height
- * 1/2" showerhead connection

Model #	Finish
1195RCP/T	Chrome
1195RBN/T	Brushed Nickel
1195RMBK/T	Matte Black



Hook portion can accommodate shower heads upto 8" diameter only.



36" Ceiling Support w/ Ring

- * 1/4" solid brass support
- * 3/4" OR 1" eye loop ring
- * Cut-to-fit adjustable

Model #	Finish
340CP	Chrome
340BN	Brushed Nickel



1" Loop



30" Wall / Ceiling Support w/ Ring

- * 5/8"OD brass support
- * Use for wall or ceiling
- * Cut-to-fit adjustable

Model #	Finish
SH36CP	Chrome



1" Loop



Wall / Ceiling Supports

- * 5/8"OD brass support w/ flange
- * Use for wall or ceiling
- * Cut-to-fit adjustable

Size: 10"

Size: 30"

Size: 48"

Model #	Finish	Model #	Finish	Model #	Finish
150WS10CP	Chrome	150WS30CP	Chrome	150WS48	Chrome
150WS10BN	Brushed Nickel	150WS30BN	Brushed Nickel	153WS48	Brushed Nickel
150WS10MBK	Matte Black	150WS30MBK	Matte Black		



No Wall Situation Ceiling Support

- * 5/8"OD brass support w/ flange
- * Cut-to-fit adjustable
- * Support is 30"L
- * Includes attachment nut

Model #	Finish
195WS30HD	Chrome
193WS30HD	Brushed Nickel



5 hole tee

Application:

The 'attachment nut' will allow you to connect to the existing 10" wall support, which will create a 90° elbow so that the support will now go vertical to the ceiling. Both ceiling supports will be 30"L (cut to fit adjustable)

***The application will still allow for a shower riser w/ head to be attached thru the 5 hole tee connection if required.



Attachment Nut only (Fits 5/8"OD)

Model #	Finish
150EL	Chrome
153EL	Brushed Nickel



Clamp on Soap Dish

- * Clamps to shower riser
- * 5.5" x 3.5" soap base

Model #	Finish
144CP	Chrome
144BN	Brushed Nickel



Shower Riser Holder

- * Attach to shower riser
- * Fits 5/8" OD riser tube

Model #	Finish
190CP	Chrome
190BN	Brushed Nickel



Clamp Handshower Holder

Model #	Finish
RMHCP	Chrome

1" OD Handshower Holder



- * Fits 3/4" or 1" OD frames
- * Rotational arm w/ locking handle
- * Solid brass material

Model #	Finish
SH121CP	Chrome
SH121BN	Brushed Nickel

3/4"OD Handshower Holder



- Fits 3/4" or 1" OD frames
- Rotational arm w/ locking handle
- Solid brass material

Model #	Finish
SH150CP	Chrome
SH150BN	Brushed Nickel

Riser Soap Tray



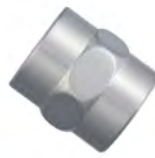
Model #	Finish
CDSH214CP	Chrome



Square Brackets

- * Pair of cast brackets w/ screws
- * 5" x 2"
- * Fits all 1" OD frames

Model #	Finish
300CP	Chrome
300BN	Brushed Nickel



Shower Riser Coupling

- * 3/8" ips
- * Connects bottom to top riser

Model #	Finish
1195RNUT	Chrome
1193RNUT	Brushed Nickel



3/4" Trim Kit

- * 1 x 3 hole tee w/ screws
- * 1 x 5 hole tee w/ screws
- * 2 x wall/ceiling flanges w/ screws

Model #	Finish
TRIM-CP	Chrome
TRIM-BN	Brushed Nickel
TRIM-MBK	Matte Black



5/8"OD Wall /Ceiling Flange

Model #	Finish
150FLCP	Chrome
150FLBN	Brushed Nickel
150FLMBK	Matte Black

Includes all screws



5 Hole Tee (for 3/4" frames)

Model #	Finish
150T5CP	Chrome
150T5BN	Brushed Nickel
150T5MBK	Matte Black

Includes all screws



3 Hole Tee (for 3/4" frames)

Model #	Finish
150T3CP	Chrome
150T3BN	Brushed Nickel
150T3MBK	Matte Black

Includes all screws



5/8"OD Swivel Flange

- * Fits all 5/8"OD supports
- * Use for angled ceilings

Model #	Finish
SW58CP	Chrome